

# Ultrasonic Monitor

## Centeron Wireless Tank Monitoring System

Centeron monitors accurately measure tank fluid level and send information to Centeron controllers via robust wireless data links. The Centeron Ultrasonic Monitor is compact and quick to install. Its noncontact technology is suitable for a large variety of fluid applications.

- Completely wireless
- High accuracy
- Noncontact measurement
- Easy to install
- No calibration
- Low maintenance
- Eliminates costly electrical wiring

### Specifications:

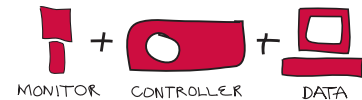
- Measurement range: 12 feet
- Accuracy: +/- 0.5%
- Temperature range: -40C to +80C
- UL 50, Type 3 environmentally sealed enclosure
- 5-year battery life with 4 hour transmit interval
- Low battery indication
- Radio range: 1 mile line of sight, 500 feet obstructed
- Radio complies with FCC Part 15
- ETL/cETL listed: Intrinsically safe for use in Class I, Division 1, Group D hazardous locations

### The Centeron System

We start with an easy to install monitor. It's wireless, so no special know-how or tools are needed. It's powerful, too. Our DSSS radio technology is far superior to the narrow bandwidth radios found in other wireless systems. That means you receive your data even in the harshest environments.



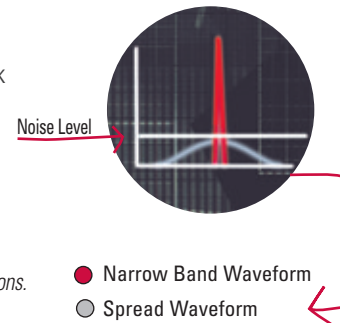
The monitor sends the tank level data to the controller. The



controller collects the data then sends it to the Centeron Data Center. From there, you can retrieve your info anytime, wherever you are.

Just think about what that information can mean to your business. An up-to-date, accurate account of tank level allows you to deliver your product when it needs to be delivered. Centeron puts you in control so you can manage your business better.

Call 1-865-981-3118 and speak directly to a Robertshaw applications engineer.

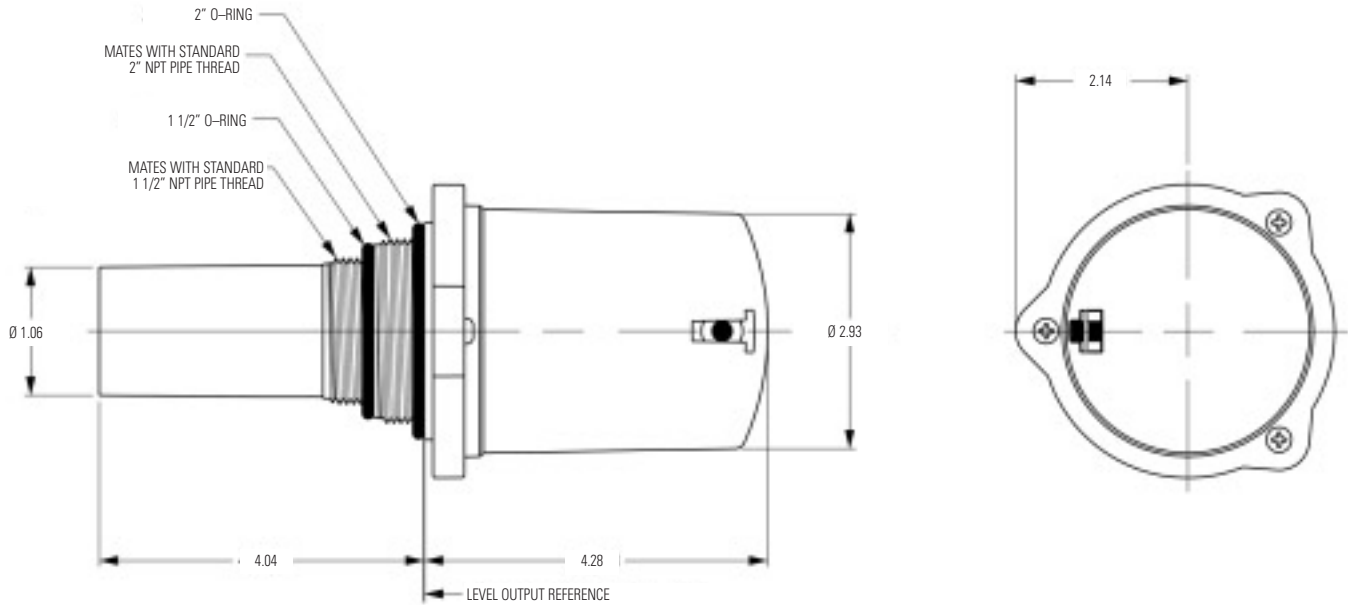


*Exceptional DSSS radio technology is superior to narrow band systems, resulting in more reliable communications. So advanced, it's already the recipient of 12 patents, with additional pending.*

- Narrow Band Waveform
- Spread Waveform

# Centeron®

The World's No. 1 Wireless Tank Monitoring System



Ultrasonic Monitor												
	0	3	0	30 Minute transmit interval								
	0	6	0	60 Minute transmit interval								
	1	2	0	120 Minute transmit interval								
	2	4	0	240 Minute transmit interval								
	↓			0	7	2	72" Tank height					
				1	4	4	144" Tank height					
U M	<input type="checkbox"/>	<input type="checkbox"/>	<input type="checkbox"/>	E I	<input type="checkbox"/>	<input type="checkbox"/>	<input type="checkbox"/>	F 9	0	0	0	0

ETL/cETL Marked Intrinsically Safe apparatus for use in Class I, Division 1, Group D hazardous locations, conforming to ANSI/UL913 and CAN/CSA C22.2 No. 157.

FCC Part 15 Registered: NU9TX0625-0300

This device is manufactured by Robertshaw Controls Company, in Maryville, TN USA under the following US Patents: 4,977,577; 5,067,136; 5,119,396; 5,265,120; 5,406,217; 5,547,713; 4,581,606; Patents pending in the US and other countries.

**Robertshaw**  
 Industrial Products

U.S.A. – Robertshaw Industrial Products  
 1602 Mustang Drive, Maryville, Tennessee 37801  
 Tel Sales: 800-237-7429 Technical Support: 865-981-3118  
[www.robertshawindustrial.com](http://www.robertshawindustrial.com) • [www.centeron.net](http://www.centeron.net)